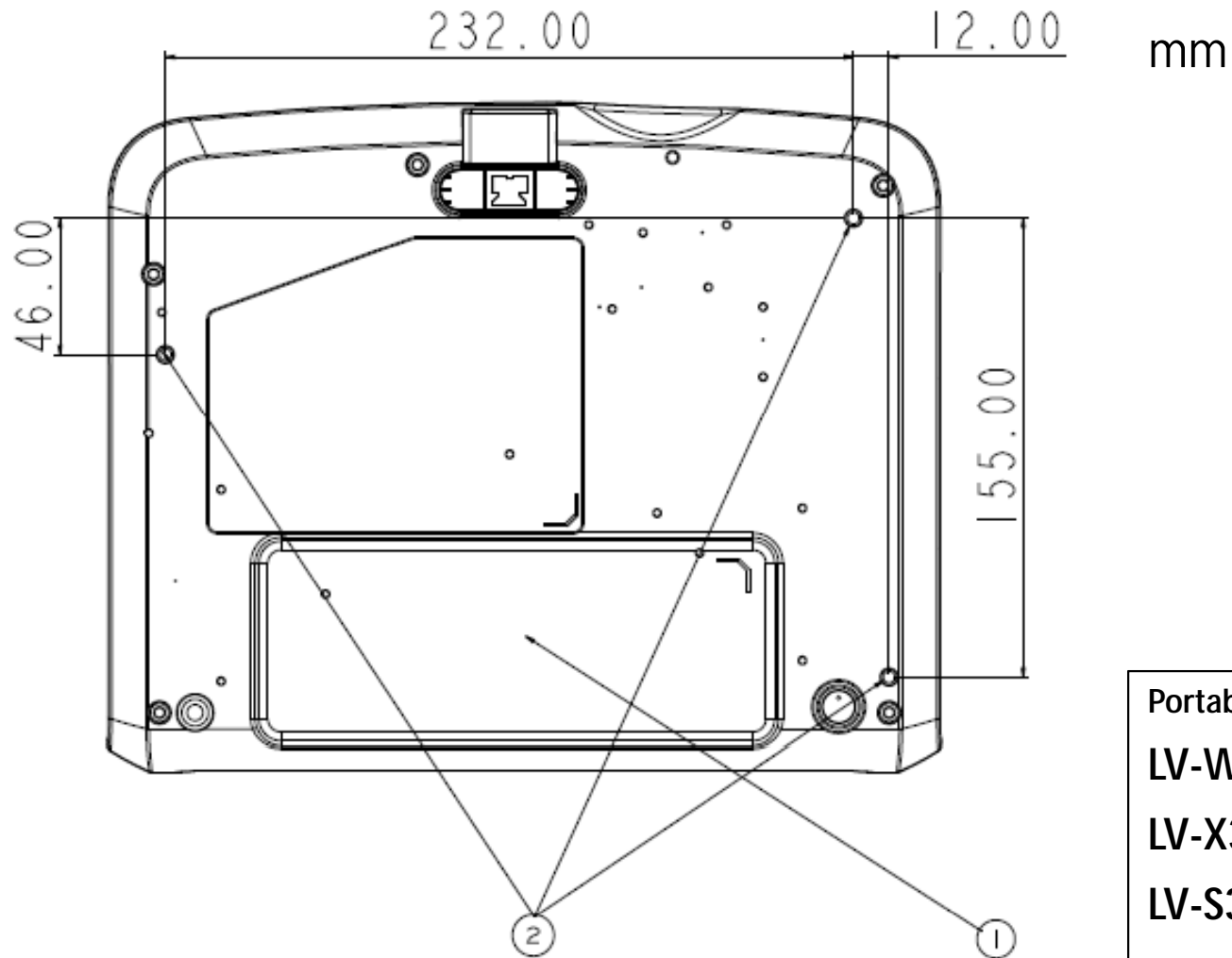


Ceiling mount location



CEILING MOUNT SCREW: M4 * MAX L 8MM

Portable Type

LV-WX300

LV-X300

LV-S300

Short Throw Type

LV-WX300ST

LV-X300ST